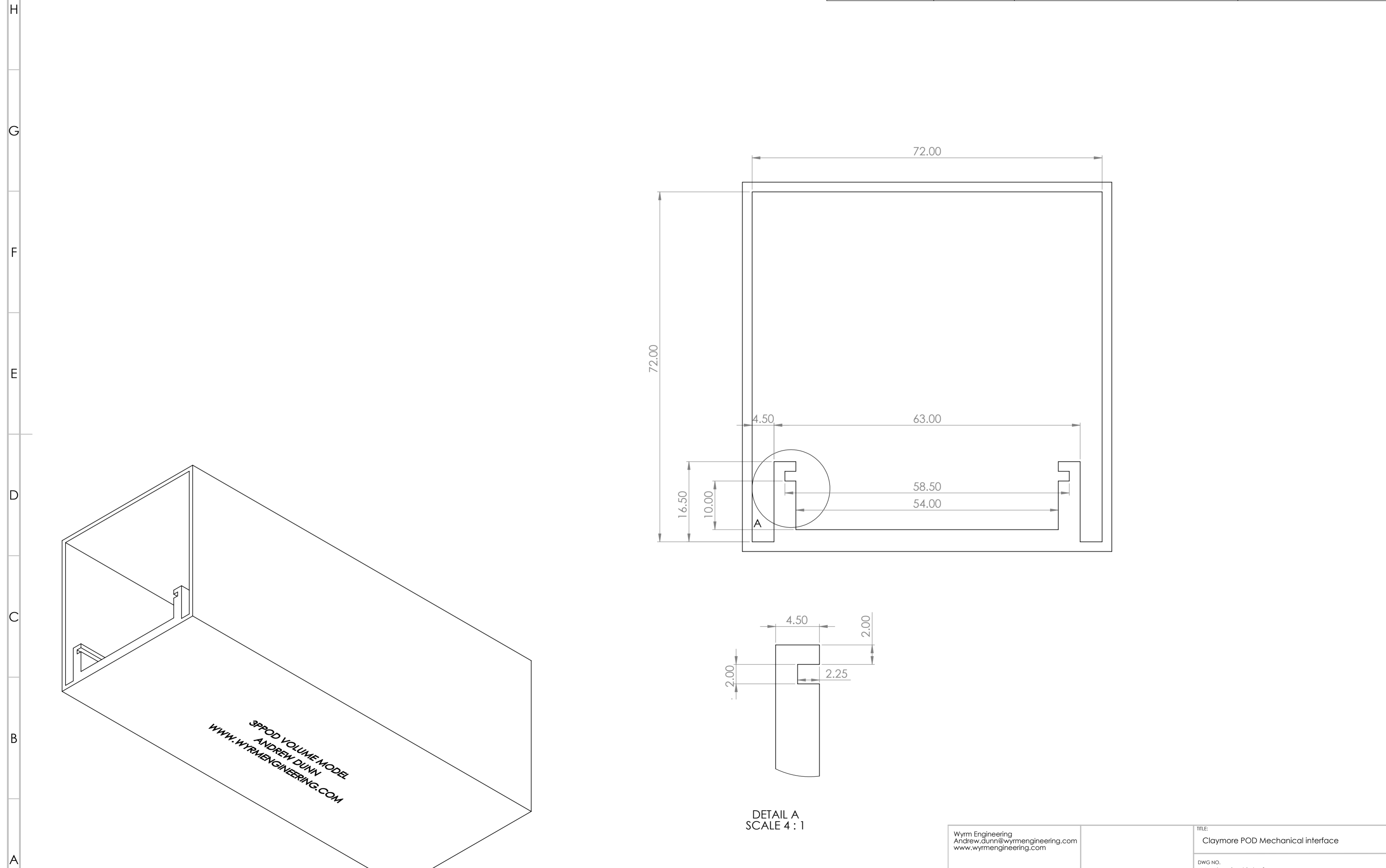
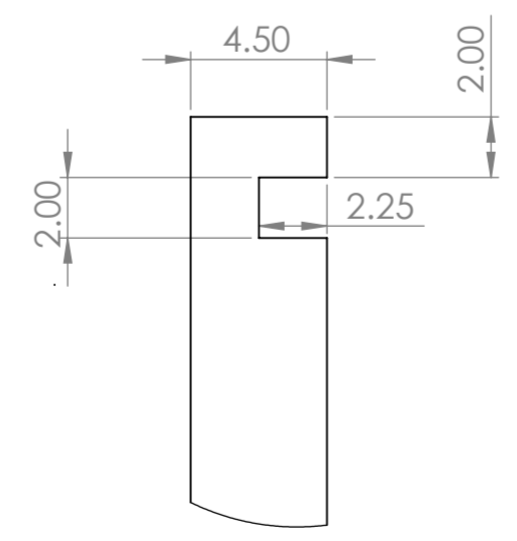
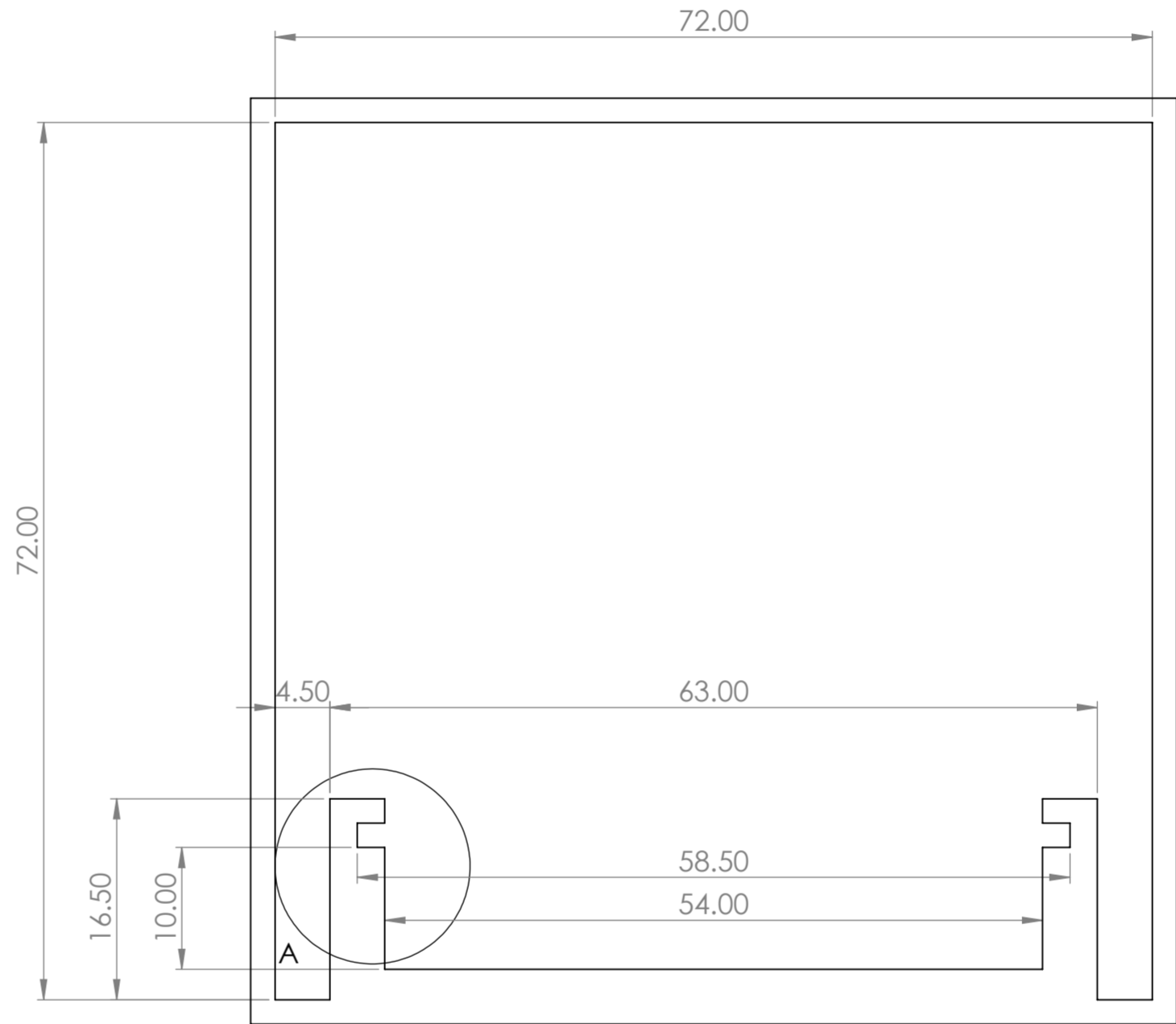


5	4	3	2	1
REV	DATE	DESCRIPTION	ZONE	
1	16/05/19	DOCUMENT CREATED		

NOTES:
1. DO NOT SCALE DRAWING



3DPOD VOLUME MODEL
ANDREW DUNN
WWW.WYRMENGINEERING.COM



DETAIL A
SCALE 4 : 1

Wyrn Engineering Andrew.dunn@wyrnengineering.com www.wyrnengineering.com		TITLE: Claymore POD Mechanical interface	
UNLESS OTHERWISE SPECIFIED: DIMENSIONS ARE IN MILLIMETERS SURFACE FINISH: TOLERANCES: LINEAR: +/- 0.1 ANGULAR: +/- 0.1		DWG NO: Mechanical interface	
DRAWN	NAME	DATE	MATERIAL:
CHK'D	ANDREW DUNN	16/05/19	N/A
APP'VD			
SCALE:2:1		V1	SHEET 1 OF 1
			A2